

CB-601

Aluminum Backdraft Damper

STANDARD CONSTRUCTION:

- Frame:** .060" Thick Extruded Aluminum
- Blades:** .045" Thick Extruded Aluminum
- Blade Seal:** Vinyl
- Linkage:** 0.625" x 0.125" Aluminum Bar (in airstream)

RATINGS:

- Pressure:** 4" w.g.
- Velocity:** 4000 FPM
- Temperature:** 200° F

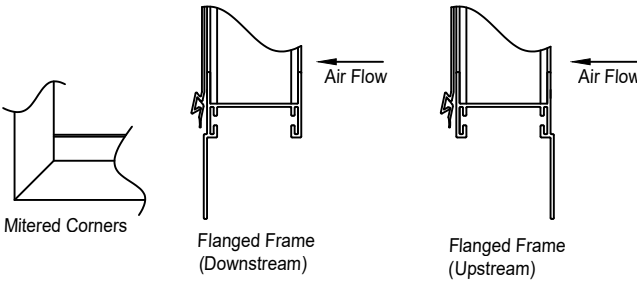
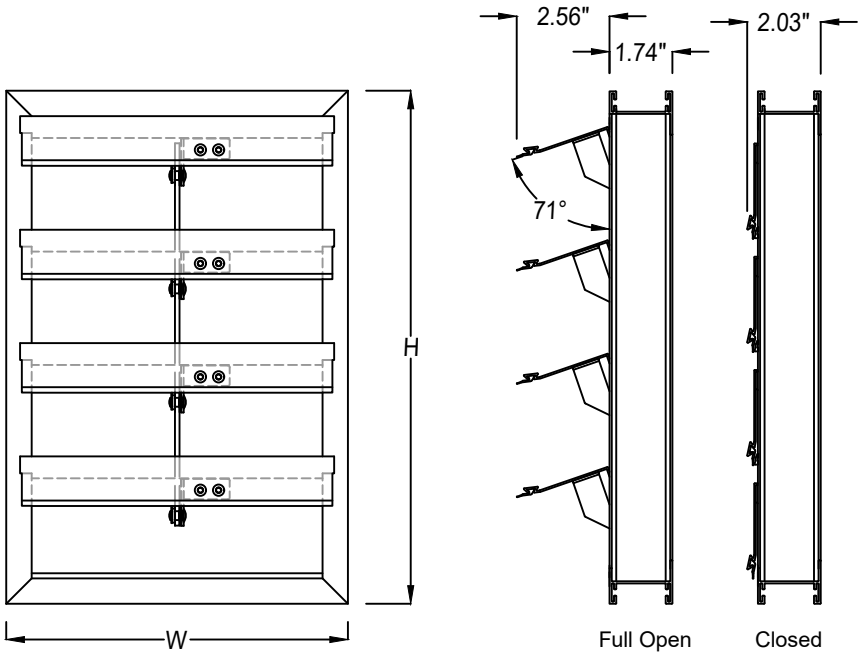
SIZE LIMITATIONS:

- Minimum size:** 6"w x 6"h
- *Maximum single section size:** 48"w x 48"h
- Multi sections shipped knocked down**

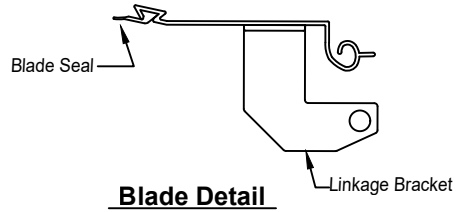


OPTIONS:

- 1-1/2" Flanged Frame
 - Upstream Downstream
- Counterbalance (Barometric Relief Damper)
 - Weights
 - Assist to Open (Default) Assist to Close
 - Springs
 - Assist to Open (Default) Assist to Close
- Set Limit Open Position Bracket
- Motor Kit (ships loose - standard)
 - Belimo TFB-SLTR actuator



Frame Detail



Blade Detail

* W & H dimensions are approximately 1/4" undersized.
 Box Frame shown above, Flange will add 1-1/2" around perimeter

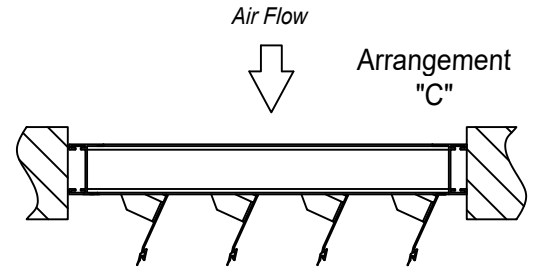
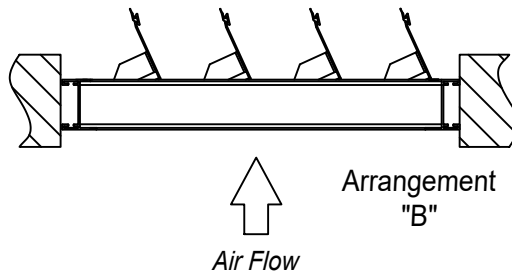
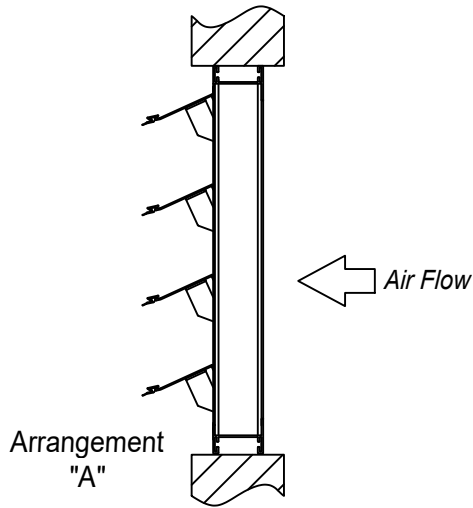
Due to continuing research, United Enertech reserves the right to change specifications without notice.

	3005 South Hickory Street Chattanooga, Tennessee 37407 Tel: (423) 698-7715 Fax: (423) 698-6629 www.unitedenertech.com			
	MODEL CB-601 (4000 fpm)			
DRAWN BY: CLJ	DATE: 12-29-14	REV. DATE: 4-13-23	REV. NO.: 7	DWG. NO.: F-3

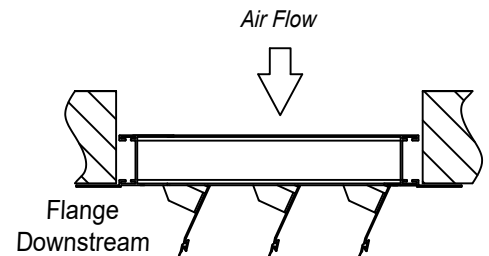
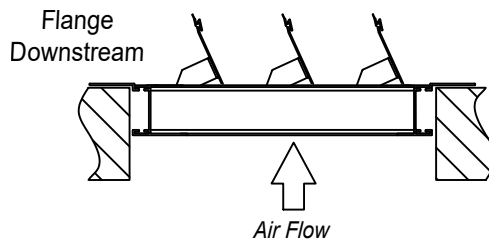
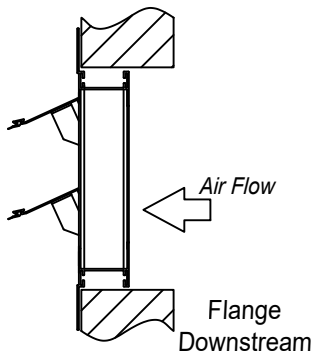
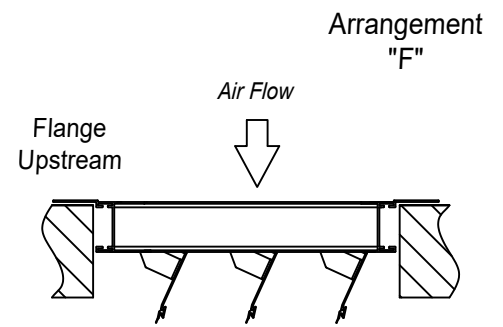
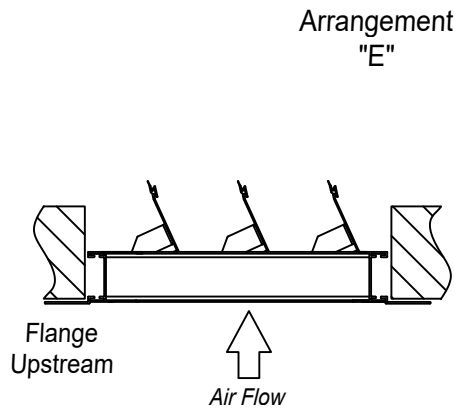
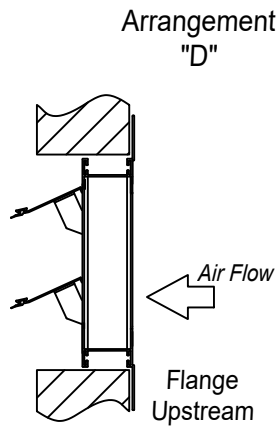
CB-601 Airflow Arrangements

Counterweights or springs used in airstream

NO FLANGE



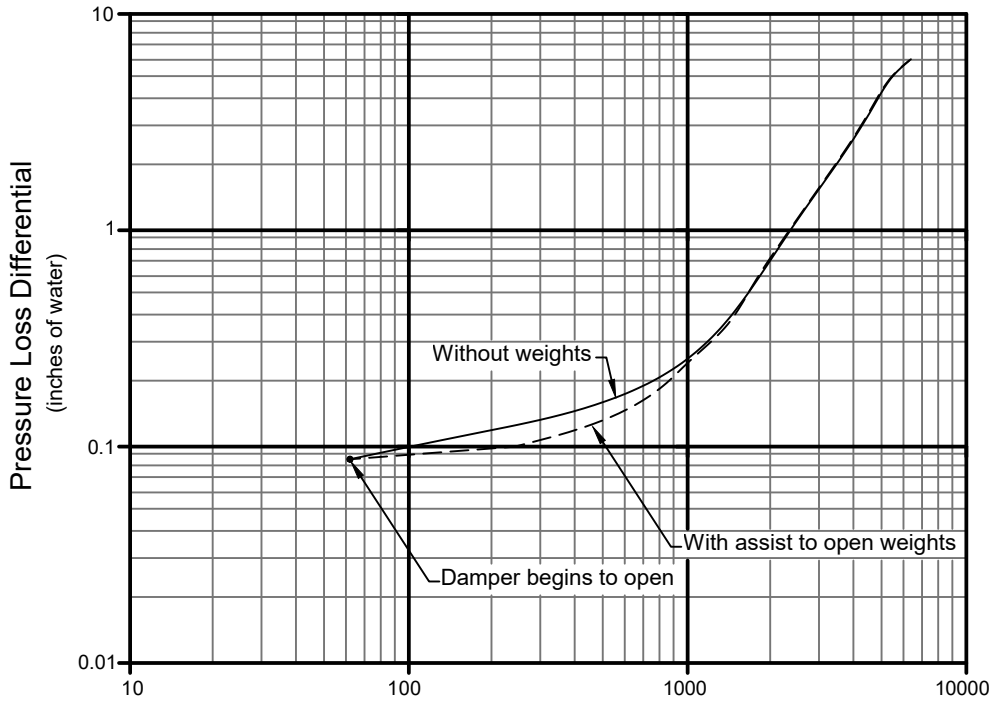
WITH FLANGE



DISCLAIMER:

When used in fan discharge applications, the damper should be installed at LEAST $\frac{1}{2}$ the fan diameter away from the fan to mitigate premature product wear.

Pressure Drop

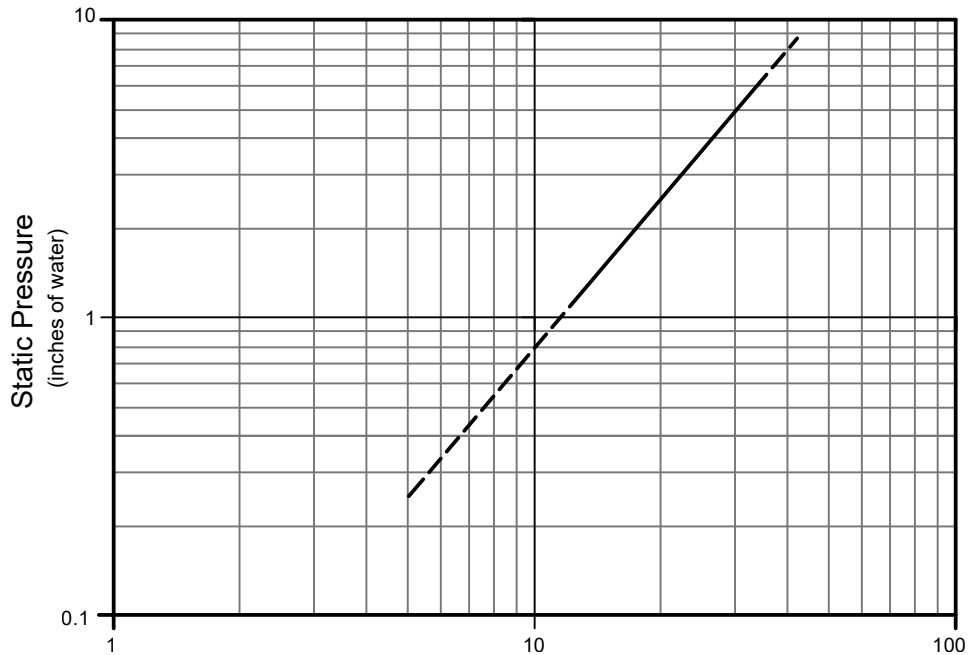


Face Area / Duct Velocity (FPM)

Tested per AMCA 500-D, Fig. 5.2
 Damper size: 24" x 24"

Note: Damper can be configured with additional assist weights to relieve pressure differentials of less than 0.01" w.g.

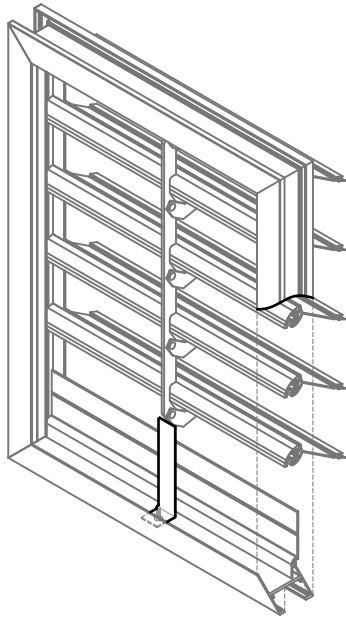
Leakage



Leakage (CFM/FT²)

Tested per AMCA 500-D, Fig. 5.2 & 6.6
 Damper size: 24" x 24"

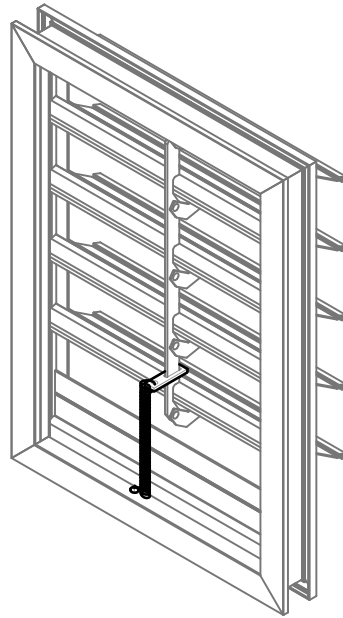
LIMIT BRACKETS



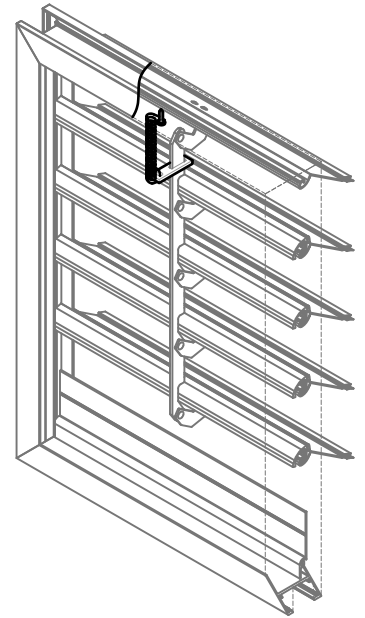
Jamb Cut Away for Clarity

COUNTERBALANCING SPRINGS

Assist to Open



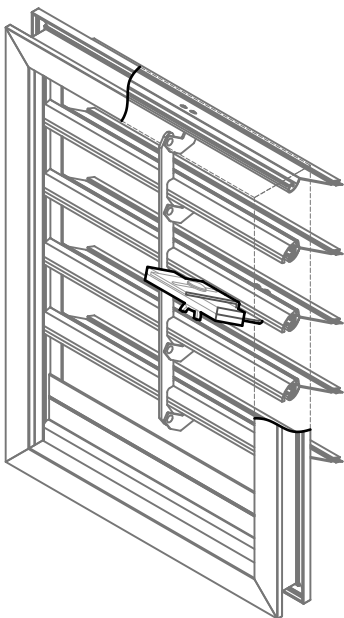
Assist to Close



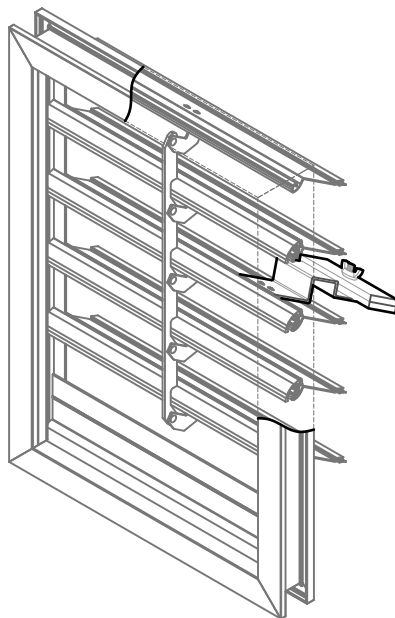
Head Cut Away and Jamb Removed for Clarity

COUNTERBALANCE WEIGHTS

Assist to Open



Assist to Close



Heads and Jambs Cut Away for Clarity

MOTOR KIT

Adds 4-7/8" to total depth
Includes Belimo TFB -SLTR
Actuator

