

MODEL EFL/MTS

Electronic Fuse Link with Momentary Test Switch

APPLICATION

The EFL/MTS is an electric Resettable "Fuse Link" with a Momentary Test Switch assembly. The EFL/MTS is a UL Classified heat response device used in conjunction with United Enertech Combination Fire Smoke F/S dampers. The EFL/MTS is standard on all F/S dampers with electric actuators or pneumatic actuators with an EP Switch. The EFL/MTS disengages the power to the actuator when the temperature exceeds 165 Deg. F (74C) or 212 Deg. F (100C) or 250 Deg F (121C) or 350 Deg. F (177C) depending on the model ordered and installed.



OPERATION

Fire Condition: When the temperature exceeds 165 Deg. F (74C) or 212 Deg. F (100C) or 250 Deg F (121C) or 350 Deg. F (177C) are detected, the damper will close. Upon cessation of the fire conditions the damper can be reopened by pressing the reset button located on the EFL/MTS assembly.

Smoke Conditions: When smoke signal is detected, the damper will close and remain closed until the signal ceases (or the smoke detector is reset). The system will then reset and the damper will open.

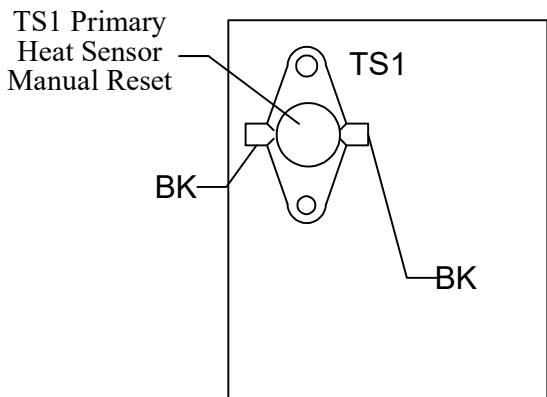
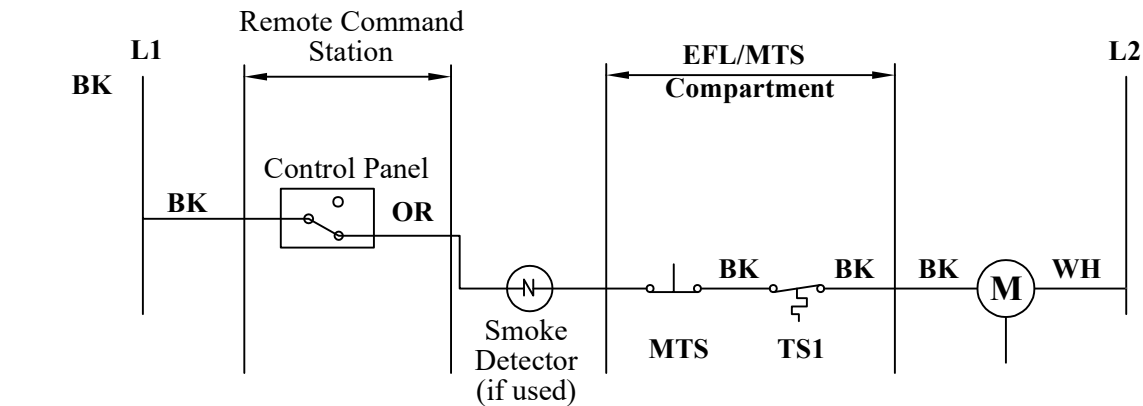
Testing

Momentary Test Switch (MTS) The MTS is a standard component to the EFL which allows the damper to be cycled tested to verify the operation of the damper. Cycle Testing is a requirement of the International Fire Code (IFC) and NFPA standards.

U.L. 555S Classified at 165°F, 212°F, 250°F or 350°F depending upon Actuator/Operator
*See Actuator/Operator Schedule



EFL/MTS Wiring Detail



		3005 South Hickory Street Chattanooga, Tennessee 37407 Tel: (423) 698-7715 Fax: (423) 698-6629 www.unitedenertech.com	
EFL/MTS Electronic Fuse Link with MTS Momentary Test Switch			
DRAWN BY: KSM	DATE: January 2024	REV. DATE:	REV. NO.
			DWG. NO.: ED-001